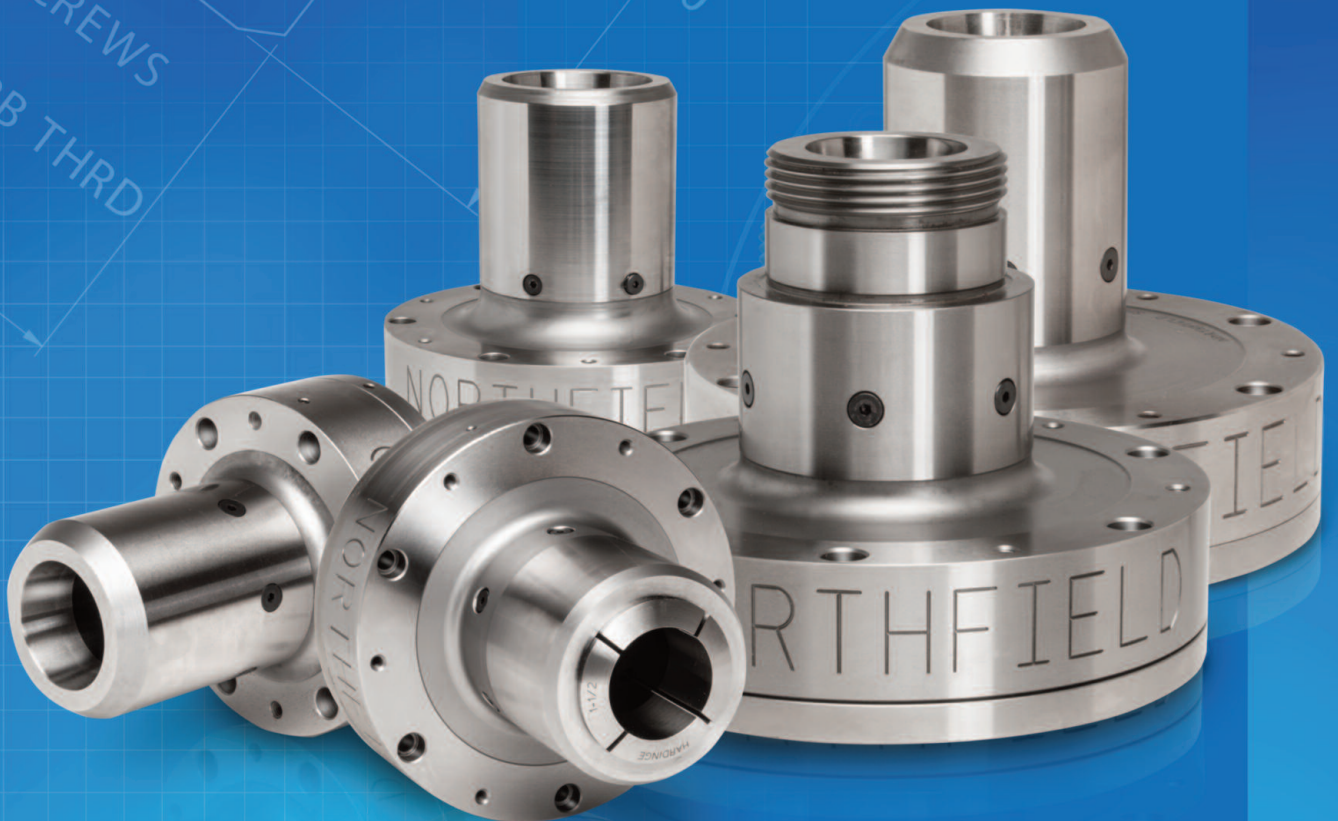


# NORTHFIELD

Precision Instrument Corporation

## Precision Collet Chucks

Product Selection Guide



# 4 Inch Precision Collet Chucks

**400-5C 400W-5C 400S-5C 400SW-5C**



**400-5C**

**400W-5C**

**Coolant/Air Blast model**

All standard collet chucks use same air tubes and adapters as Northfield's air chucks and diaphragm chucks.

**Specifications:**

**Size:** 4 Inch

**Max. Speed:** 15,000 rpm

**Repeatability:** (Max. Concentricity): .0001 to .0007\*

**Repeatability:** (Max. End Lengths): 50 millionths (1.27μ)

**Weight:** 7.5 lb / 3.40 kg

**Draw Force:** 0 to 650 lb

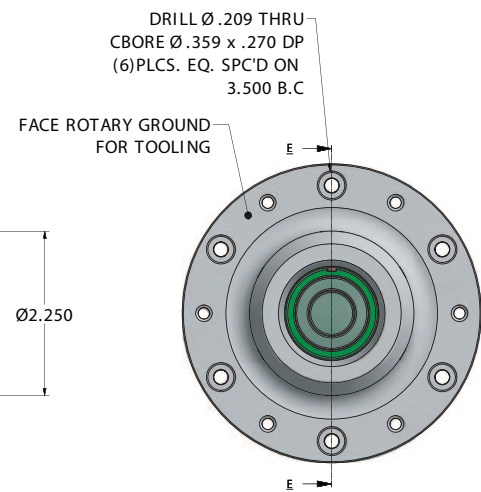
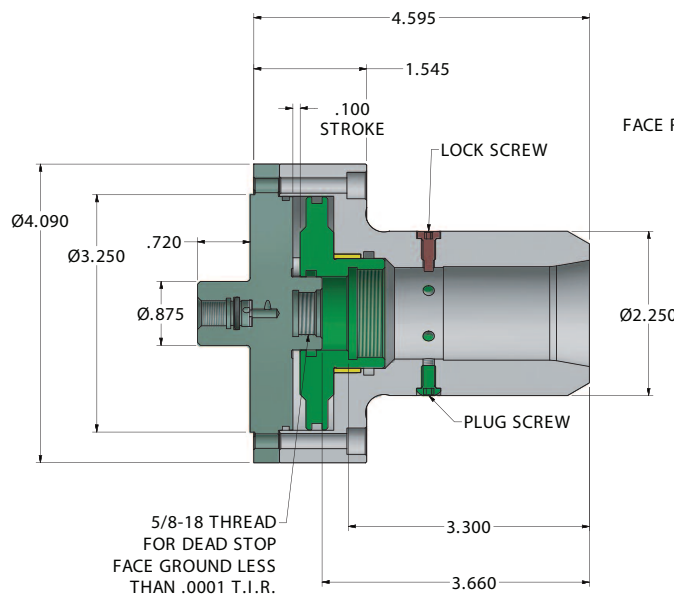
**Materials:**

**Body:** Alloy Steel 59/63 RC

**Other Components:** Alloy Steel 50 RC

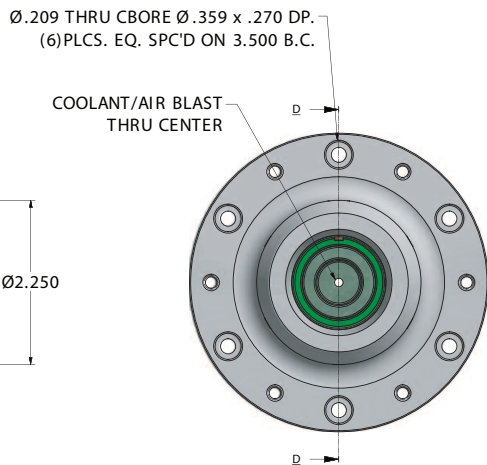
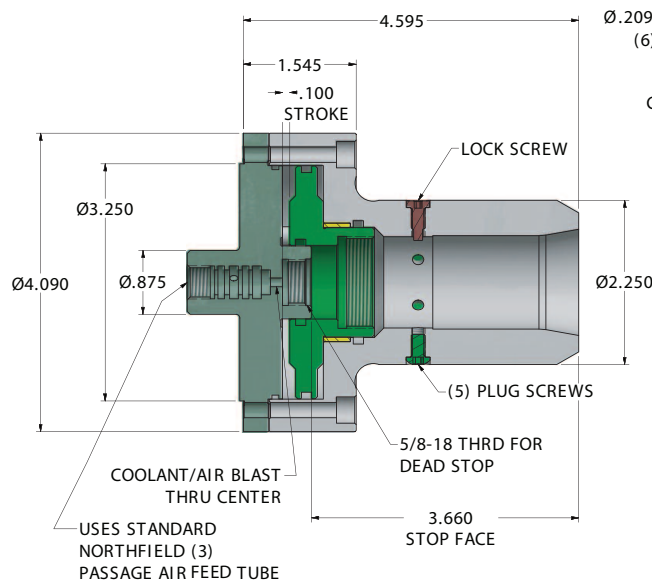
\*Concentricity depends on quality of collet.

**400-5C**



**400W-5C**

**Coolant/Air Blast model**





**400S-5C**  
**400SW-5C**

**Coolant/Air Blast model**

All standard collet chucks use same air tubes and adapters as Northfield's air chucks and diaphragm chucks.

**Specifications:**

**Size:** 4 Inch

**Max. Speed:** 15,000 rpm

**Repeatability:** (Max. Concentricity): .0001 to .0007\*

**Repeatability:** (Max. End Lengths): 50 millionths (1.27μ)

**Weight:** 7.5 lb / 3.40 kg

**Draw Force:** 0 to 650 lb

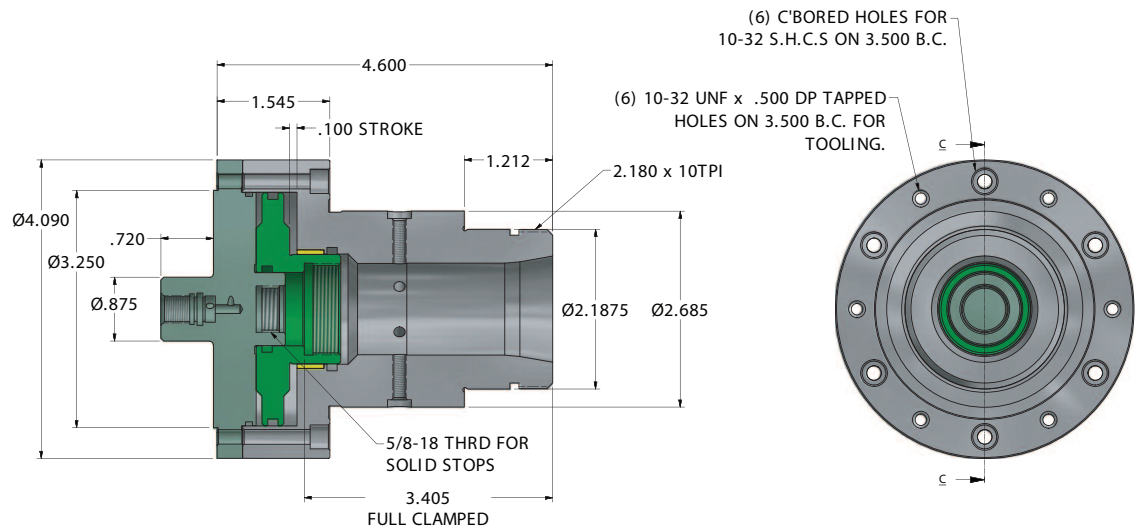
**Materials:**

**Body:** Alloy Steel 59/63 RC

**Other Components:** Alloy Steel 50 RC

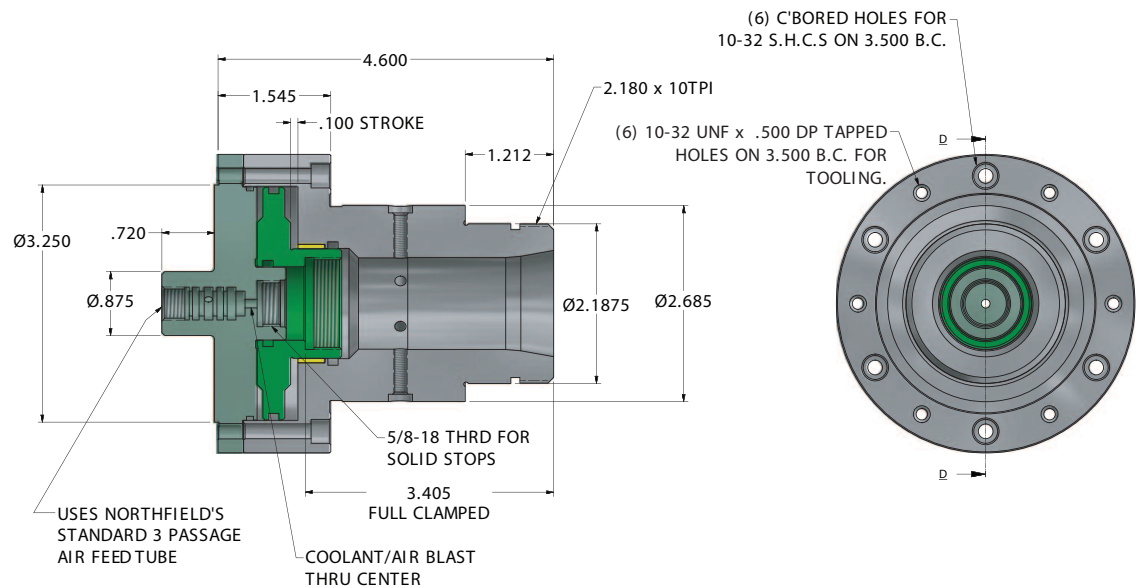
\*Concentricity depends on quality of collet.

**400S-5C**



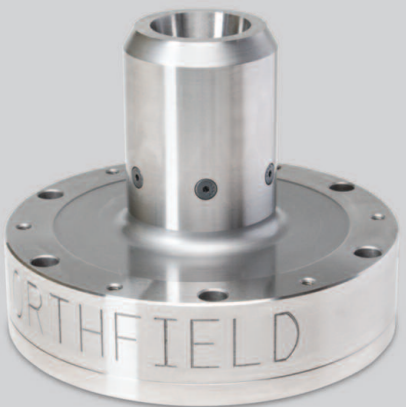
**400SW-5C**

**Coolant/Air Blast model**



# 6 Inch Precision Collet Chucks

**600-5C 600W-5C 600S-5C 600SW-5C**



**600-5C**  
**600W-5C**  
**Coolant/Air Blast model**

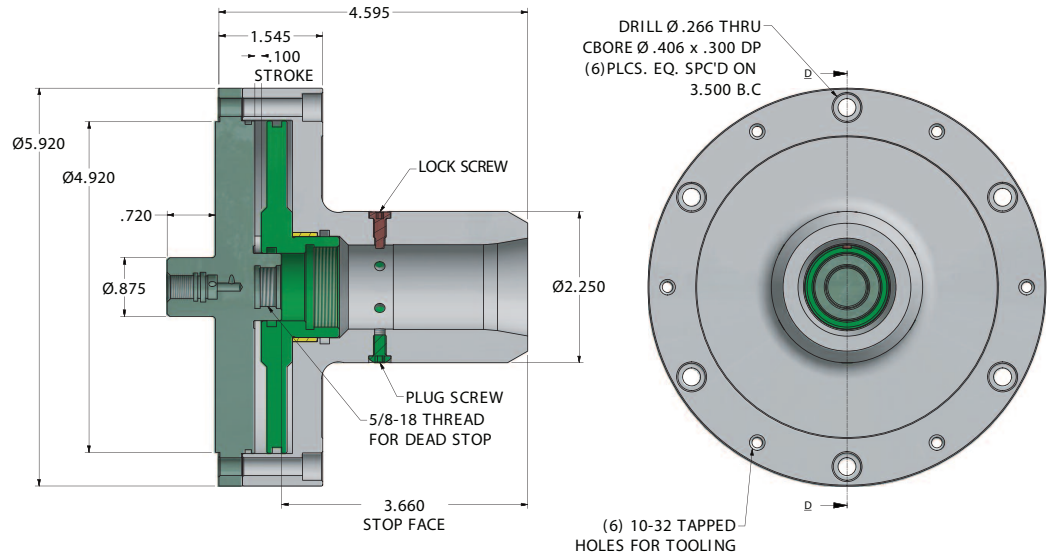
All standard collet chucks use same air tubes and adapters as Northfield's air chucks and diaphragm chucks.

**Specifications:**  
**Size:** 6 Inch  
**Max. Speed:** 15,000 rpm  
**Repeatability:** (Max. Concentricity): .0001 to .0007\*  
**Repeatability:** (Max. End Lengths): 50 millionths (1.27μ)  
**Weight:** 13 lb / 5.89 kg  
**Draw Force:** 0 to 1750 lb

**Materials:**  
**Body:** Alloy Steel 59/63 RC  
**Other Components:** Alloy Steel 50 RC

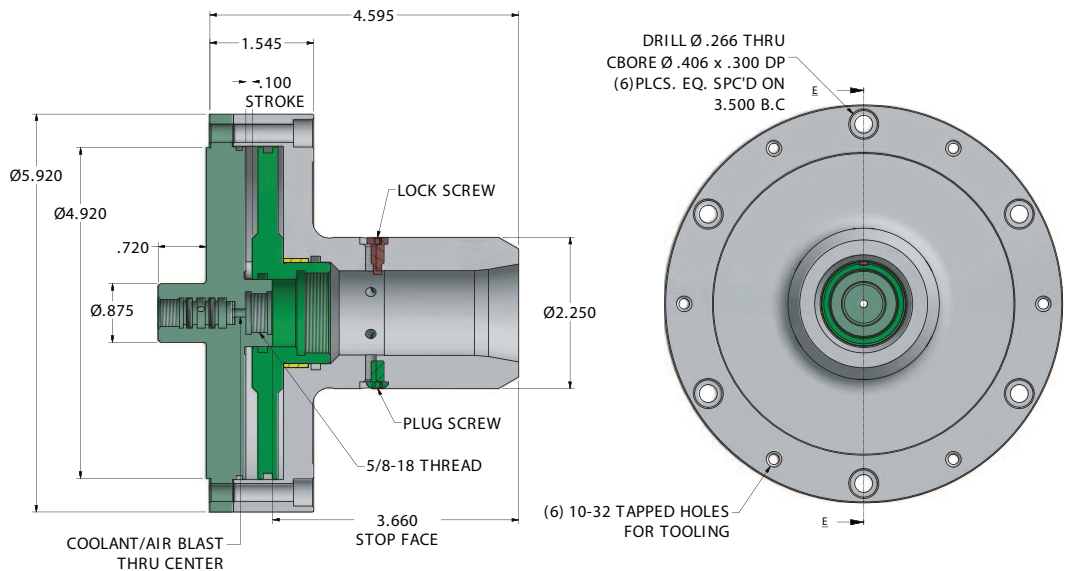
\*Concentricity depends on quality of collet.

## 600-5C



## 600W-5C

**Coolant/Air Blast model**





**600S-5C**  
**600SW-5C**  
 Coolant/Air Blast model

All standard collet chucks use same air tubes and adapters as Northfield's air chucks and diaphragm chucks.

**Specifications:**

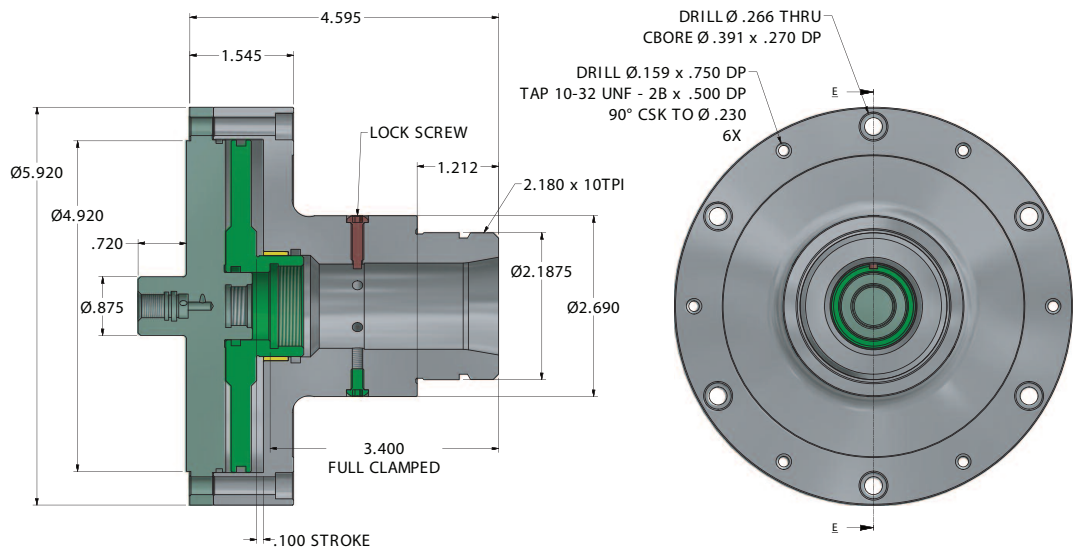
- Size:** 6 Inch
- Max. Speed:** 15,000 rpm
- Repeatability:** (Max. Concentricity): .0001 to .0007\*
- Repeatability:** (Max. End Lengths): 50 millionths (1.27μ)
- Weight:** 13 lb / 5.89 kg
- Draw Force:** 0 to 1750 lb

**Materials:**

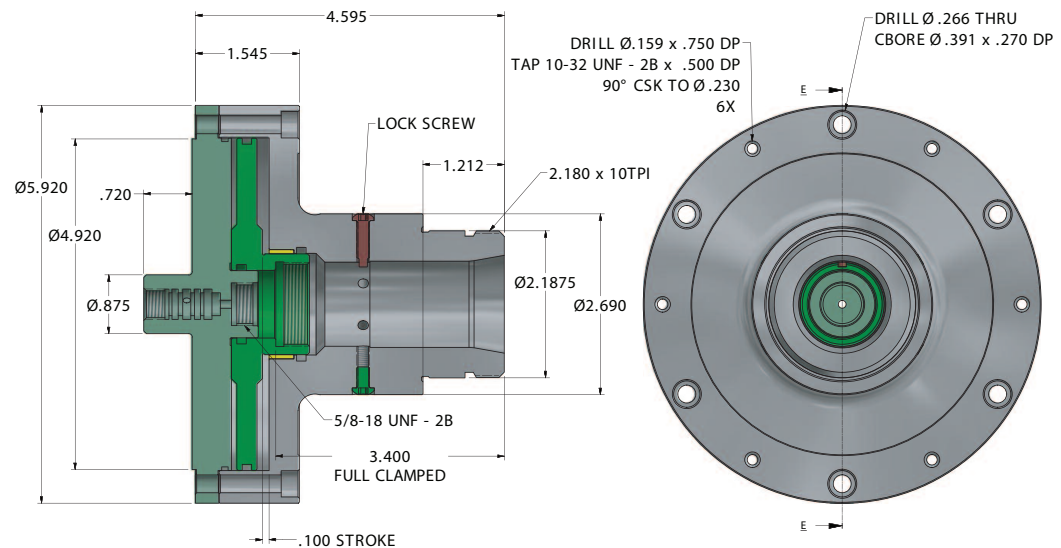
- Body:** Alloy Steel 59/63 RC
- Other Components:** Alloy Steel 50 RC

\*Concentricity depends on quality of collet.

**600S-5C**



**600SW-5C**  
 Coolant/Air Blast model



# 6 Inch Precision Collet Chucks

**600-16C 600W-16C 600-3J 600W-3J**



**600-16C**  
**600W-16C**  
 Coolant/Air Blast model

All standard collet chucks use same air tubes and adapters as Northfield's air chucks and diaphragm chucks.

**Specifications:**

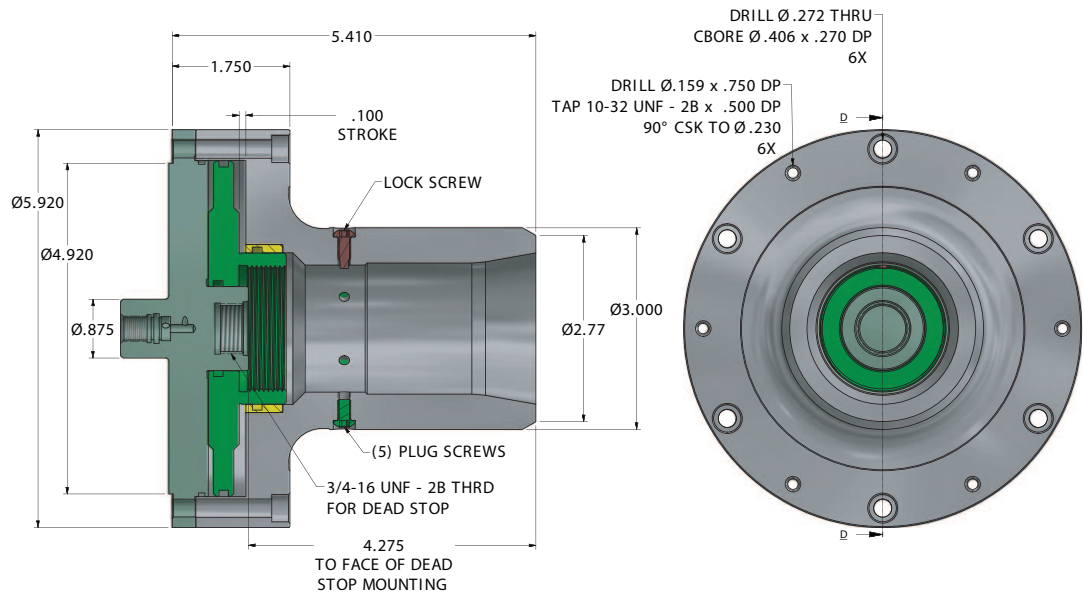
- Size:** 6 Inch
- Max. Speed:** 15,000 rpm
- Repeatability:** (Max. Concentricity): .0001 to .0007\*
- Repeatability:** (Max. End Lengths): 50 millionths (1.27μ)
- Weight:** 13 lb / 5.89 kg
- Draw Force:** 0 to 1750 lb

**Materials:**

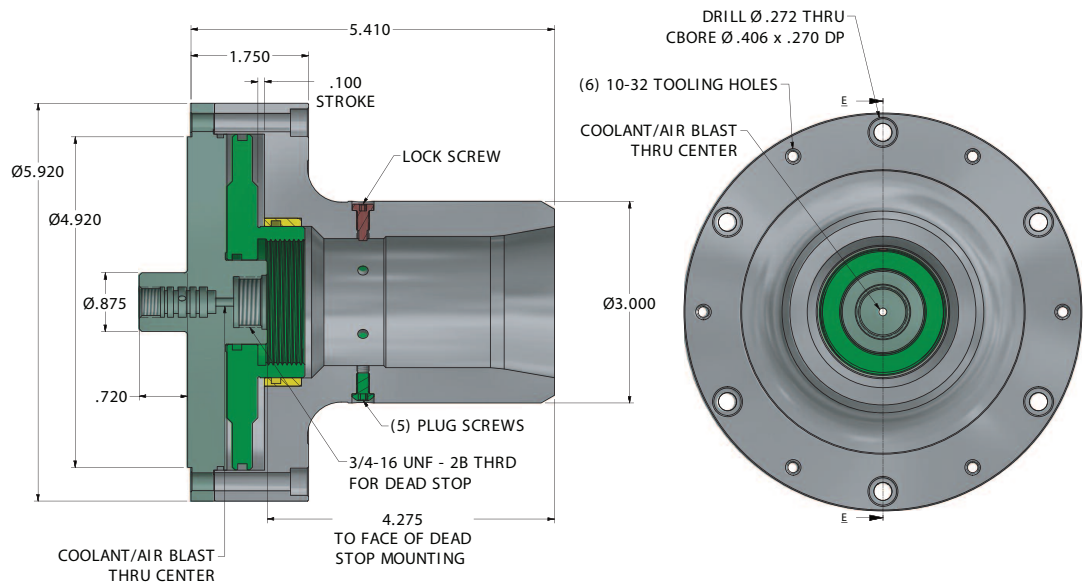
- Body:** Alloy Steel 59/63 RC
- Other Components:** Alloy Steel 50 RC

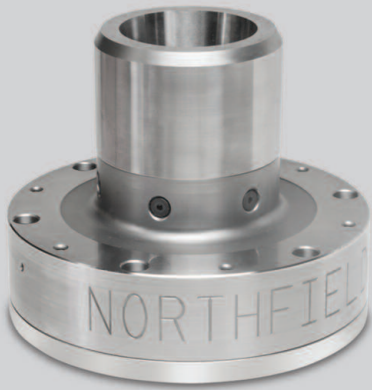
\*Concentricity depends on quality of collet.

**600-16C**



**600W-16C**  
 Coolant/Air Blast model





**600-3J**  
**600W-3J**

**Coolant/Air Blast model**

All standard collet chucks use same air tubes and adapters as Northfield's air chucks and diaphragm chucks.

**Specifications:**

**Size:** 6 Inch

**Max. Speed:** 15,000 rpm

**Repeatability:** (Max. Concentricity): .0001 to .0007\*

**Repeatability:** (Max. End Lengths): 50 millionths (1.27μ)

**Weight:** 13 lb / 5.89 kg

**Draw Force:** 0 to 1750 lb

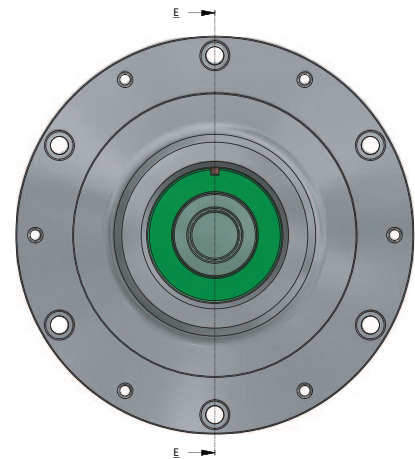
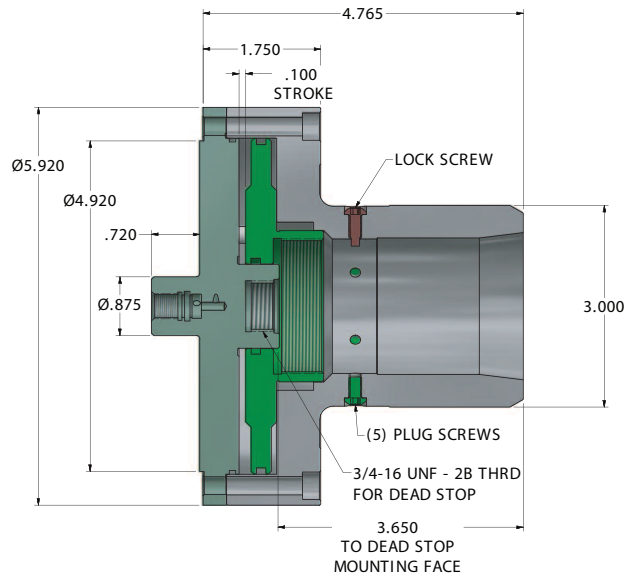
**Materials:**

**Body:** Alloy Steel 59/63 RC

**Other Components:** Alloy Steel 50 RC

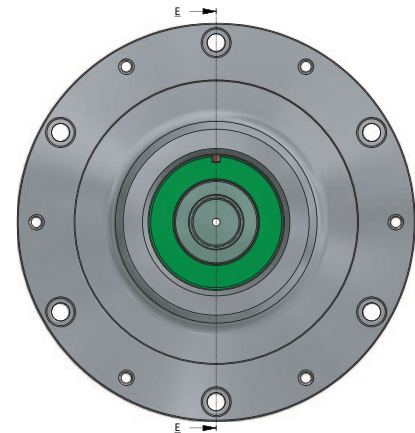
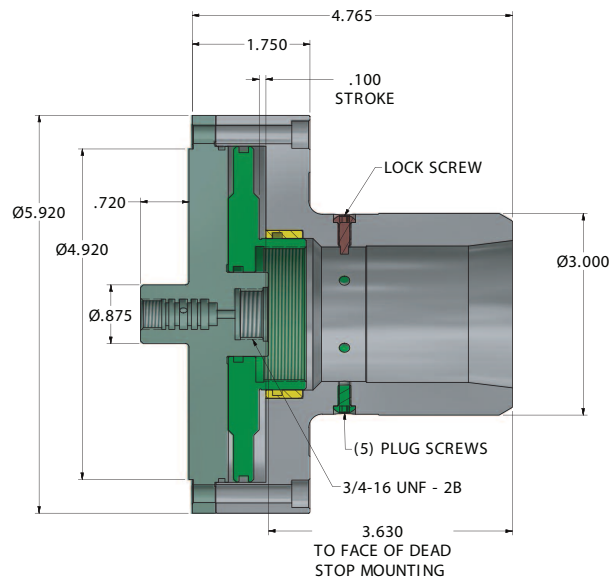
\*Concentricity depends on quality of collet.

**600-3J**



**600W-3J**

**Coolant/Air Blast model**



# NORTHFIELD

## Precision Collet Chucks

### Applications

- Turning, grinding, boring, milling, measuring, inspection, material handling, robotics, CNC, EDM.
- All machines: rotating, stationary, vertical, horizontal.
- Universal workholding: internal, external, rigid.

### Productivity

- Hardened and ground DEAD stop.
- Finger tip control can triple output.
- Automatic self-centering.
- Uniform pre-determined holding pressure.
- Adjustable jaw force for semi-rough or fragile holding.
- Automatic or manual operation.

### Reliability

- Rotary joint air bearing eliminates metal-to-metal wear for extremely long life.
- Simple, sophisticated design, all components hardened and ground.
- Balanced to operate at high speeds.
- Built-in, self-contained air cylinder.
- Built-in safety features.

### NORTHFIELD— The Precision Workholding Source

- Workholding leadership in accuracy, reliability, repeatability, concentricity and productivity.
- Chuck sizes: 4 in. (103mm) & 6 in. (152mm).
- Coolant/Air Blast models.
- Engineered workholding consultation services.

USES SAME AIR TUBES AND ADAPTERS AS NORTHFIELD AIR CHUCKS.

**Precision**  
**At Any Speed!**

**NORTHFIELD**

Precision Instrument Corporation

4400 Austin Blvd., P.O. Box 550, Island Park, NY 11558-0550  
(516) 431-1112 • Fax: (516) 431-1928

**Call Toll Free 1-800-810-2482**

www.northfield.com • e-mail: sales@northfield.com